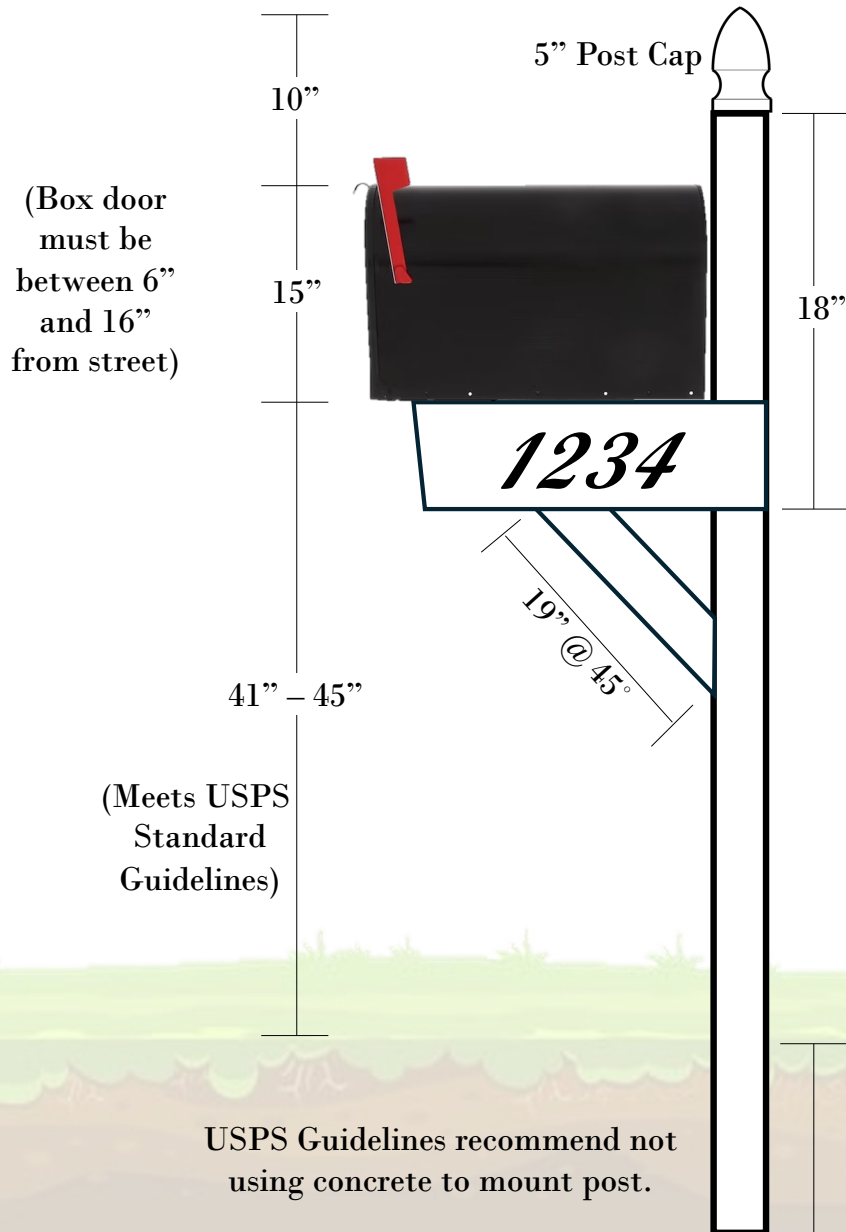
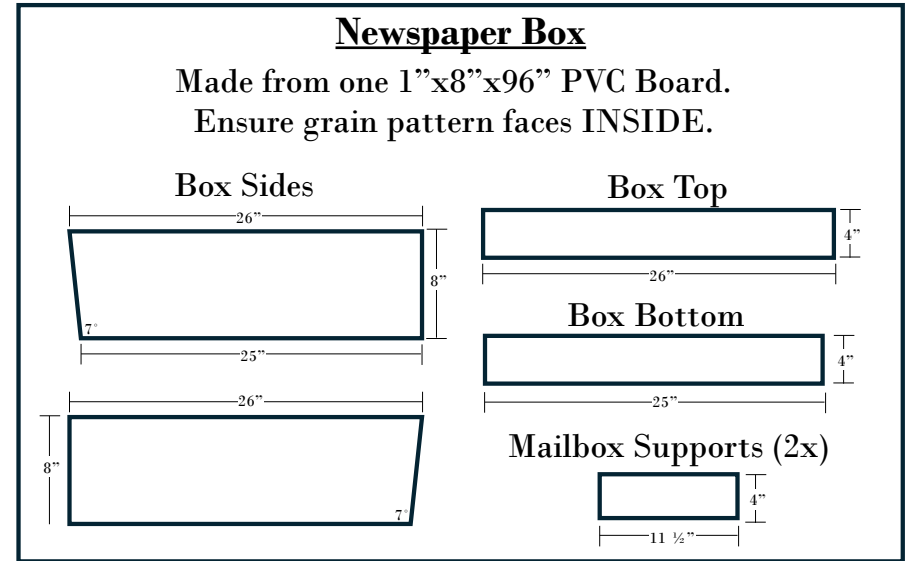


WCHOA Mailbox Standard - Modernized

This updated design allows for the use of PVC and vinyl construction materials of a durable and ultra-long lasting mailbox. The new design will be WHITE and not painted. The previous design mailbox using only pressure treated materials is grandfathered provided they are compliant with the previous design, however, all new mailboxes will conform to the new standard.



No more than 2" gap between post and box



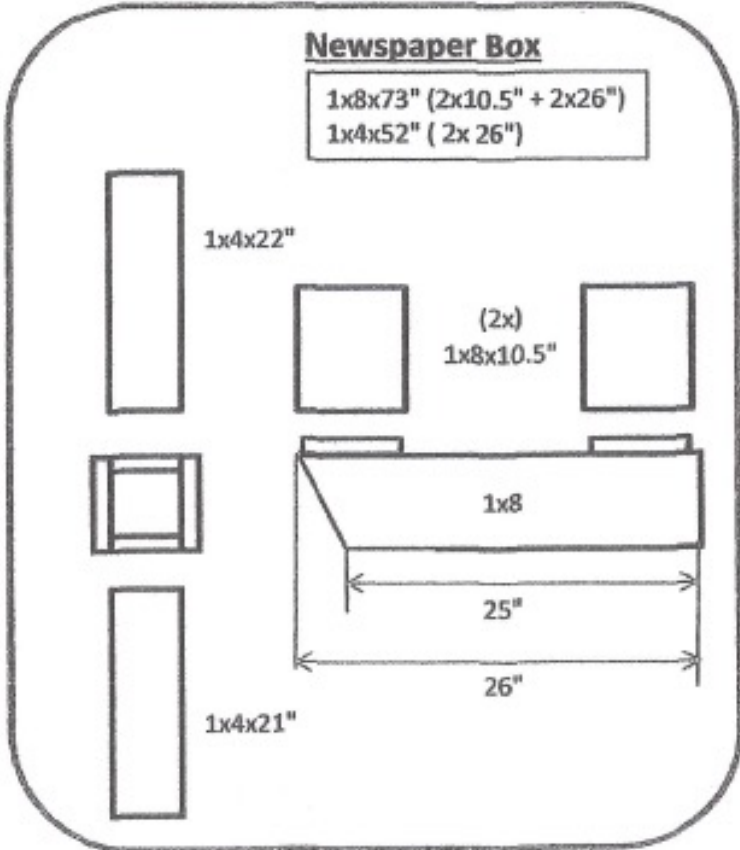
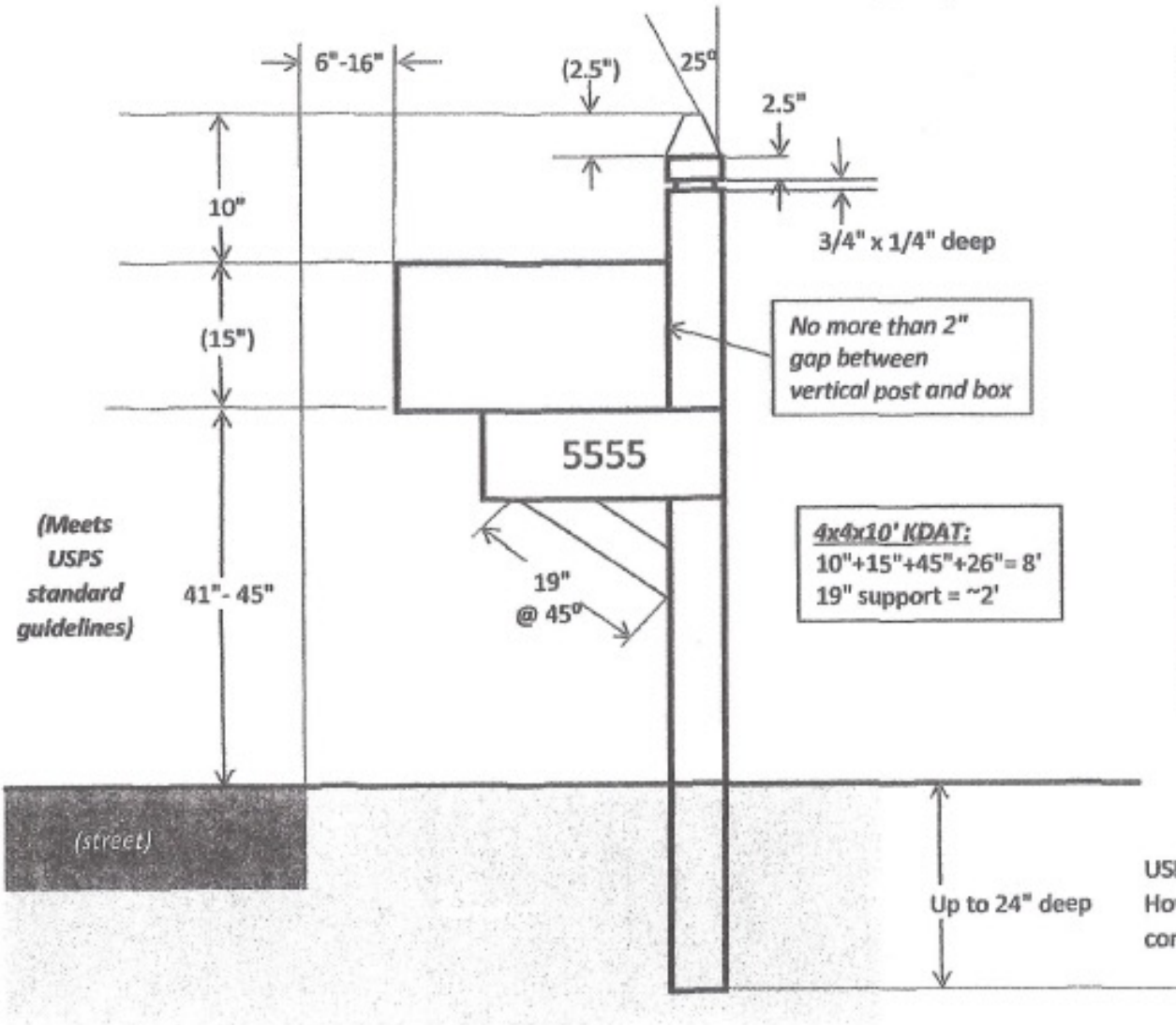
Materials List:

- 1x Pressure Treated 4"x4"x120" Post (8ft for main post & support)
- 1x PVC 4"x4" Post Sleeve 4"x4"x96" (for main post)
- 1x PVC Post Sleeve 4"x4"x36" (for angled support)
- 1x PVC Board 1"x8"x96" (white, for newspaper box)
- 1x Vinyl Post Cap, Gothic Style, 4"x4"
- 1x Extra Large Metal Mailbox, Black
- House Numbers (4in, Black)
- 16ga Brad Nails (for newspaper box), 3in Screws (for posts)

Recommend leaving post at 8ft until install and then cutting off excess to meet 41"-45" height requirement once post is tested in hole.

WCHOA MAILBOX SPECIFICATIONS

Kiln Dried Pressure Treated Wood (KDAT) recommended.



USPS guidelines recommend **NOT** using concrete. However, you may consider using a dry sackcrete mix or compactable soil if preferred.

September 2015

This design is also acceptable, however, all posts made or painted after June 2026 will be painted white.